

# SWIT



## Portable and Bright

40W + 40W Bi-Color SMD-LED

**CL-40D**



### Compact and Bright Panel

40W 2700K LEDs + 40W 6500K LEDs

CL-40D is a game-changer for videomakers seeking unparalleled lighting versatility. This slim and compact 40W bi-color panel LED light redefines portability without compromising on power. Its high brightness and soft diffusing capabilities ensure a professional grade lighting experience, creating a flattering and natural look for your videos.



CL-40D consists of **144pcs 40W 2700K** and **144pcs 40W 6500K LEDs**, and outputs 40W power at any color temperature from 2700K to 6500K.

Support **480FPS** Slow Motion Capture **Flick-Free**

3m (9.9ft)  
**130Lux**

2m (6.6ft)  
**300Lux**

1m (3.3ft)  
**1150Lux**



### Mini Size Multi Power Inputs

V-mount / USB-C / AC-DC Inputs

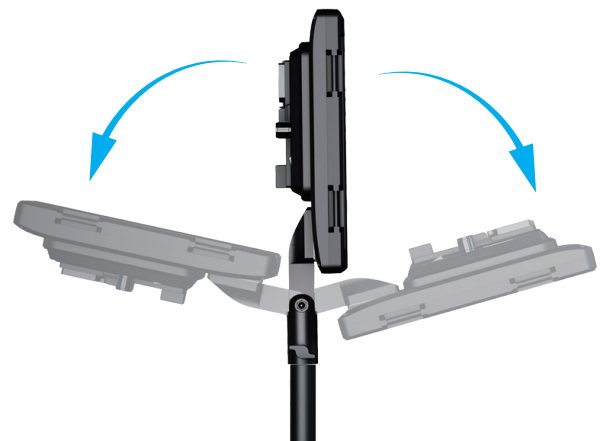
The slim and mini size of the CL-40D not only adds an element of practicality to your gear but also opens up new possibilities for capturing stunning visuals in any setting.

For convenient setup, the CL-40D supports multiple power input by V-mount battery, USB-C and 15V DC.



### Rotatable Handle Bracket

Handheld or Standard Baby-pin head install





## Power and Control



## Package Option



## Specifications

Model	CL-40D
LEDs	144pcs 40W 2700K + 144pcs 40W 6500K SMD
Color Temp	2700K-6500K
Illuminance	1150Lux @ 1m
Beam angle	64° half peak
Color Render	CRI 98; TLCI 99; SSI(D55) 75
Input Voltage	V-mount Battery 11-16.8V USB-C PD15V 2.66A 5.5/2.1mm 15V 2.66A
Power	40W
Net Weight	0.824kg

