

# SWIT®

## Rechargeable Li-ion Battery

### LB-SF65C

Ver:A

# USER MANUAL

## SWIT Electronics Co.,Ltd.

Tel:+86-25-85805753  
Fax:+86-25-85805296  
<http://www.swit.cc>  
E-mail: [contact@swit.cc](mailto:contact@swit.cc)

Thank you for choosing SWIT products, please read this user manual before using and keep it properly for future reference.

### ⚠ Warning

#### Remember the following precautions to avoid fire and other safety hazards!

- ◆ Do not use the battery in a place where there is fire or heat to prevent overheating and rupture.
- ◆ Do not Pierce the battery case or attempt to open the case or disassemble the battery.
- ◆ Please use and store the battery within the specified temperature range.
- ◆ Do not charge the battery in the car or in direct sunlight.
- ◆ Do not attempt to use the damaged battery.
- ◆ Do not squeeze the shell to cause physical impact.
- ◆ Ensure that the power of the electrical device meets the battery specifications.
- ◆ Please use SWIT charger or SWIT recommended charger to prevent overheating, rupture and other dangers.
- ◆ Keep out of reach of children.

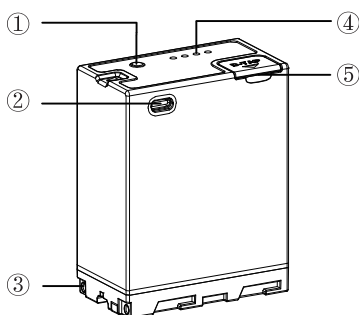
### Attention

- ◆ If the power indicator light cannot be turned on ,the battery may be in the protected state, connect the charger or rest the battery to try to recover.
- ◆ It is normal for batteries to get hot during charging and use.
- ◆ Keep the pole of the battery clean to ensure a better use experience
- ◆ Keep the battery in a cool and dry place for long-term storage. It is recommended to keep the battery power above 50%.

## Product feature

- ◆ One both-way Type-c interface,can supply power to mobile device or be charged with Type-c charger.
- ◆ One D-TAP output interface,can supply power to other device.
- ◆ Four level LED show the percentage of the battery capacity.
- ◆ Built-in multiple protective circuit, with temperature, voltage, current all-round protection.

## Appearance



- ① Indicator button
- ② TYPE-C input/output
- ③ Electric pole
- ④ 4 level indicator light
- ⑤ D-TAP output

## Charging Instruction

- ◆ Supports using the universal TYPE-C charger, SWIT LC-D421F, SWIT S-3602 charger to charge.
- ◆ When the TYPE-C interface is used to charge the battery, the LED light shows the percentage of remaining battery (25%,50%,75%,100%) and the D-TAP interface cannot supply power to other device.
- ◆ Batteries can be charged in the temperature range of 0 ~ 40 ° C, but we recommend charging in the temperature range of 10 ~ 30 ° C to ensure optimal battery performance.

## Discharging Instruction

- ◆ TYPE-C interface and D-TAP interface cannot be used at the same time.
- ◆ Please put on the rubber cover immediately after use to avoid dust.
- ◆ The battery can discharge in -20°C ~ 50°C; The battery performs best when used in the temperature range of -10 ~ 40°C.

## Indicator light

- ◆ The LED indicator represents the percentage of electric quantity: 25%、50%、75%、100%.
- ◆ When the TYPE-C interface is not used to charge the battery, the LED indicator represents the percentage of electric quantity: 25%、50%、75%、100%.

Capacity percentage	LED status
100%	●●●●
75%~99%	⚙●●●
50%~75%	○⚙●●
25%~50%	○○⚙●
<25%	○○○⚙

Capacity percentage	LED status
75%~100%	●●●●
50%~75%	○●●●
25%~50%	○○●●
10%~25%	○○○●
<10%	○○○⚙

## Specification

Model		LB-SF65C	
Nominal voltage		7.2V	
Capacity		65Wh/9.02Ah	
performance parameter	Electric pole×1	Output	30W/4A
		Input	8.4V--- 2A
	TYPE-C×1	Output	25W(Max), 5V--- 3A、9V--- 2.8A、12V--- 2.1A、15V--- 1.7A、20V--- 1.3A Protocol: 1.BC1.2,IOS和SAMSUNG 2.QC2.0,3.0 3.FCP,SCP 4.PD2.0,3.0
		Input	25W(Max), 5V--- 3A、9V--- 2.8A、12V--- 2.1A、15V--- 1.7A、20V--- 1.3A
	D-TAP×1	Output	20W, 12V--- 1.7A
	Total output power		30W/4A
Dimension		70.2×38.4×76.00mm	
Dimension(With carton)		76.2×44.1×83.3mm	
Net weight		345.0g	
Net weight(With carton)		359.0g	
Charging temperature		0~40°C (suggest 10~30°C)	
Discharging temperature		-20°C~50°C (suggest -10~40°C)	
Storage temperature		-20°C~50°C	