

# SWIT®

Li-ion V-Mount Battery  
PB-C420S  
Ver: A

# USER MANUAL

## SWIT Electronics Co.,Ltd.

Tel:+86-25-85805753  
Fax:+86-25-85805296  
http://www.swit.cc  
E-mail: contact@swit.cc

Thank you for choosing SWIT products, please read this user manual before using and keep it properly for future reference.

### ⚠ Warning

#### Remember the following precautions to avoid fire and other safety hazards!

- Do not expose to heat and never throw the battery in a fire to avoid over-heat, battery broken.
- Do not pierce or drill into the outer casing of the unit.
- Do not use outside of specified temperature ranges.
- Do not leave or charge the battery exposed to excessive heat such as in a car or directly under the sun light.
- Do not attempt to use the battery if damaged.
- Do not subject the unit to extreme physical impact or pressure, or Place any object across the terminals that could cause it to short.
- Charge with SWIT battery charger only.
- Keep away from child.

### Caution

- It is normal for the battery to heat up during charging and discharging.
- Always keep the connectors clean.
- The battery will still power down naturally during storage, store in cool and dry conditions, keep the capacity of battery between 25%-50%.
- Battery will get into sleep mode without using for 10 days, need to charge or press button to recover.

### Features

- 29.4Ah high capacity, power your device for long time.
- Two D-TAP ports for self-charging or external power supply.
- Five power status LED indicators accurately display remaining power capacity.
- There are four types of protection circuits to ensure the battery is protected from Over-charge, Over-discharge, Over-current and Thermal protection.

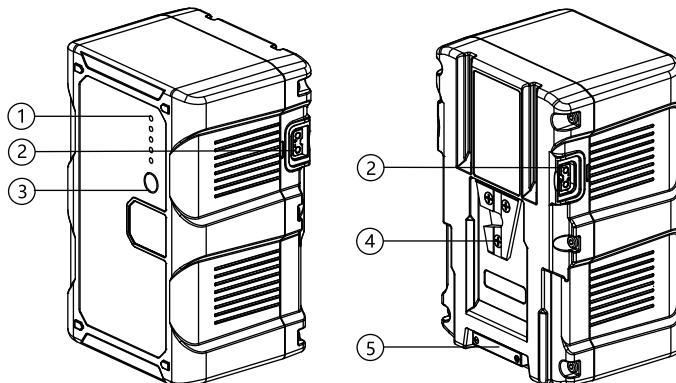
### Charging

- Can be charged with SWIT PC-P461S(6A Fast charging), SWIT S-3812S (6A Fast charging), SWIT S-3822S, SWIT PC-P430S, SWIT SC-302S.
- The LED Indicator light will show the remaining power when charging (20%,40%,60%,80%,95%).
- The ambient temperature range for charging is -4~122°F (-20~50°C), however, 14~104°F (-10~40°C) is recommended for optimizing the discharging performance.

### Discharging

- Please put on the rubber cover immediately after use the D-tap to avoid dust
- The ambient temperature range for discharging is 32~104°F (0~40°C), however, 50~86°F (10~30°C) is recommended for optimizing the discharging performance.

### Appearance



- ① LED Indicators
- ② D-TAP Input/Output ports
- ③ Indicator button
- ④ V-mount
- ⑤ Main electrode