

SWIT®

MINO-S140

Rechargeable Li-ion Battery

Ver:A

USER MANUAL

SWIT Electronics Co.,Ltd.

Tel:+86-25-85805753
Fax:+86-25-85805296
<http://www.swit.cc>
E-mail: contact@swit.cc

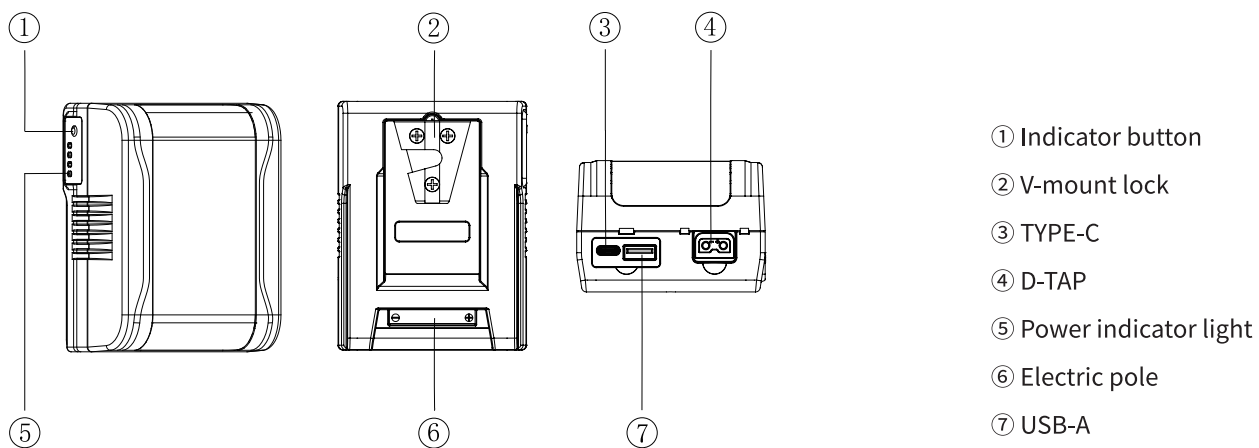
Thank you for choosing SWIT products, please read this user manual before using and keep it properly for future reference.

⚠ Warning

Remember the following precautions to avoid fire and other safety hazards!

- Do not use the battery in a place where there is fire or heat to prevent overheating and rupture.
- Do not Pierce the battery case or attempt to open the case or disassemble the battery.
- Please use and store the battery within the specified temperature range.
- Do not charge the battery in the car or in direct sunlight.
- Do not attempt to use the damaged battery.
- Do not squeeze the shell to cause physical impact.
- Ensure that the power of the electrical device meets the battery specifications.
- Please use SWIT charger or SWIT recommended charger to prevent overheating, rupture and other dangers.
- Keep out of reach of children.

Appearance



Attention

- It is normal for batteries to get hot during charging and use.
- Keep the pole of the battery clean to ensure a better use experience
- Keep the battery in a cool and dry place for long-term storage. It is recommended to keep the battery level above 50%.
- After ten days, the battery will enter sleep mode automatically and the output will be turned off. Press the indicator light button to restore the output.

Product feature

- One both-way Type-c interface, can supply power to mobile device or be charged with Type-c charger.
- One both-way D-TAP interface, can supply power to other device or be charged with this interface.
- One USB-A interface, can supply power to other device.
- Four level LED show the life and percentage of the battery capacity.
- Built-in multiple control circuit, with temperature, voltage, current all-round protection.

Charging Instruction

- Supports using the universal TYPE-C charger, SWIT S-3812S, SWIT PC-P461S, SWIT S-3822S, SWIT SC-302S, SWIT PC-U130B, SWIT PC-U130B to charge.
- During the charging process, the LED light shows the percentage of remaining battery (25%,50%,75%,90%).
- Batteries can be charged in the temperature range of 0 ~ 40 °C, but we recommend charging in the temperature range of 10 ~ 30 °C to ensure optimal battery performance.

Discharging Instruction

- At low temperatures, the internal resistance of the battery increases, and the discharge time is shortened. When the load is heavy, the battery may be automatically cut off.
- USB and D-TAP interface overload will cause output shutdown, press the button to restore.
- Please put on the rubber cover immediately after use to avoid dust.
- The battery can discharge in -20°C ~ 50°C;The battery performs best when used in the temperature range of -10 ~ 40°C.

Indicator light

- The LED indicator from E to F respectively represents the percentage of electric quantity: 25%、50%、75%、90%.

Capacity percentage	F → E
≥90%	●●●●
75%~90%	☀●●●
50%~75%	○☀●●
25%~50%	○○☀●
<25%	○○○☀

- Troubleshoot

F → E ☀☀○○	The battery runs out or is protected.Wait for a period of time and check the indicator status. If the indicator status is recovered, it indicates that the battery is exhausted. Charge the battery as soon as possible.
F → E ○○☀☀	Overcurrent, overtemperature or overvoltage of charge.Please remove the battery and wait for the battery to recover by itself.Overcharging please put the battery in the shade, after a few minutes of cooling, the battery will automatically recover;Remove the battery and discharge it to reduce the battery voltage.
F → E ☀☀☀☀	The battery cannot be charged or discharged.Please put the battery in a cool place and wait for the core temperature to decrease (recommended > 30 minutes). Then hang the battery on the charger and try to charge. If the battery is charged normally, the battery will return to normal.

Specification

Model		MINO-S140	
Mount type		V-mount	
Nominal voltage		14.4V	
Capacity		140Wh/9.7Ah	
Interface	Electric pole × 1	Output	150W/12A
		Input	16.8V --- 3A
	TYPE-C × 1	Output	65W(Max), 5V/9V/12V/15V/20V(Max) --- 3.25A Protocol: 1.BC1.2,IOS和SAMSUNG 2.QC2.0,3.0 3.FCP,SCP 4.PD2.0,3.0
		Input	5V/9V/12V/15V/20V(Max) --- 2.4A
	D-TAP × 1	Output	120W/10A
		Input	16.8V --- 3A
	USB × 1	Output	10W,5V --- 2A
		Total Output	150W/12A
Charging temperature		0~40°C (suggest 10~30°C)	
Discharging temperature		-20°C~50°C (suggest -10~40°C)	
Other parameters	Electromagnetic compatibility		EN55032,EN55035
	Safety		IEC62368, UN38.3
	Fall		1.2m bare device falls freely
Dimension		105.0mm × 79.6mm × 55.5mm	
Net weight		0.713kg	