

SWIT®

S-2712 RGB Pocket light

Ver: A

USER MANUAL

SWIT Electronics Co.,Ltd.

Tel:+86-25-85805753
Fax:+86-25-85805296
http://www.swit.cc
E-mail: contact@swit.cc

Thank you for choosing SWIT products. Please read the instructions before using, and keep it for future reference.

Specification

LED	54pcs×0.5W(White);54pcs×0.5W(Yellow) 96pcs×0.5W(RGB)
Power	12W
Color temperature	2500K-9000K
Intensity	0-100%
CRI/TLCI	96/99
Half beam angle	Naked:65°; With honeycomb :40°
Luminance	5230 Lux@0.3m
Mode	CCT/HSI/Scene mode
Battery Capacity	7.4V/3000mAh
Charging	Charging interface: type-c USB; Charging Voltage/current: DC 5V-15V/2A ; Support QC3.0 fast charging
Dimension	See Fig.1
Weight	300g
Working temperature	Working:-8°C-38°C; Charging:0°C-35°C; Storage:-8°C-65°C.

Cautions

1. Please take off the protected film in front of the light before using;
2. Do not disassemble light or touch the interior with metal objects to avoid damage;
3. Do not store the light in dusty or wet environment to avoid damage;
4. Do not use too high or too low voltage for charging to avoid damage;
5. Please use the light under the temperature range to avoid damage.

Maintenance

1. Use soft dry cloth to clean the light and front panel. Can also use a soft cloth dipped slightly in a neutral detergent solution for cleaning, but wipe with a soft dry cloth after cleaning.
2. Do not use wet cloth, absolute alcohol, benzene to wipe the light panel or soft panel, otherwise will damage the soft panel.

Appearance

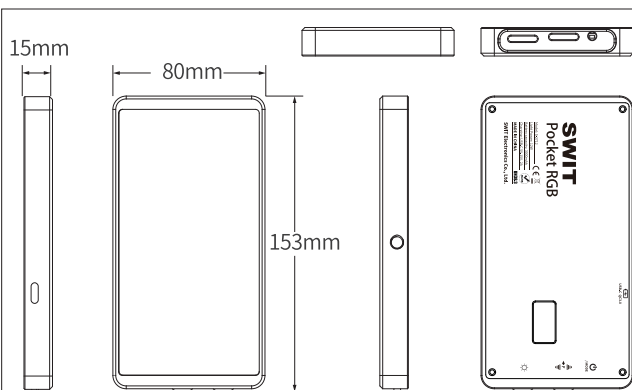


Fig. 1 S-2712 Overall Dimension

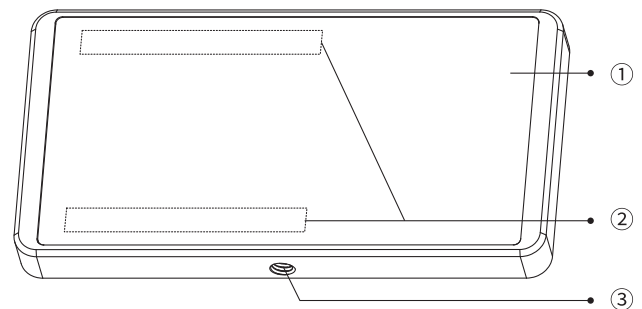


Fig. 2 S-2712

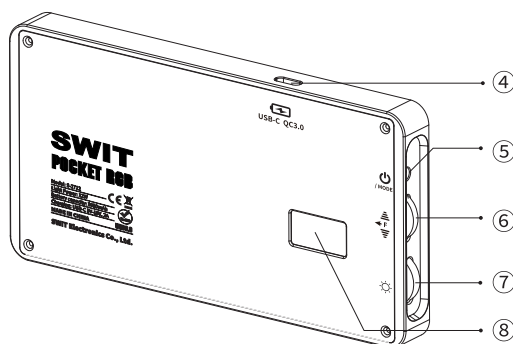


Fig. 3 S-2712

- ① Light body
- ② Magnet
- ③ 1/4" Mounting hole
- ④ Charging interface
- ⑤ Power switch/MODE button
- ⑥ Up/down button
- ⑦ Intensity button
- ⑧ OLED screen

Appearance

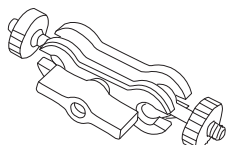


Fig. 4 Bracket



Fig. 5 Cold-shoe

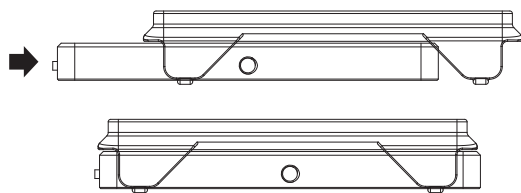


Fig. 6 Installation of Honeycomb/diffuser

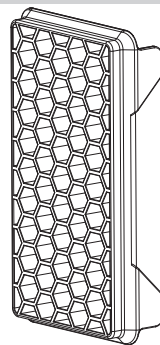


Fig. 7 Honeycomb

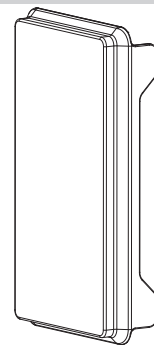


Fig. 8 Diffuser

Operation instructions

1. Install

● Honeycomb/diffuser installation

See fig.6

● Light installation

Based on usage requirements, there are two install way below for choosing:

- 1) Install the light on the tripod, camera or other shooting equipment by 1/4" mounting hole(Fig.2③).
- 2) Interior magnet module(Fig.2②), both front, back, side face are able to attract on most metal, multiple lights can also be combined by magnetic attraction.

2. Operation instructions

● Power switch/Mode button

- 1) Turn ON/OFF

Long press power switch button (Fig.3⑤)for about 1.5 sec, turn ON/OFF the light

- 2) Mode change

Press MODE button(Fig.3⑤)to change the working mode, the working mode of this light including CCT mode, HSI mode and preset scene mode.

● Color temperature Adjustment

- 1) In CCT mode, adjust "up/down" button(Fig.3⑥)to change color temperature.
- 2) Color temperature adjustment range:2700K-6500K, adjustment step size: 50K.

● Intensity Adjustment

- 1) In CCT mode or HSI mode, move intensity button (Fig.3⑦)to change intensity.
- 2) Intensity adjustment range:0%-100%, adjustment step size: 1%

● HSI Adjustment

In HSI mode, press "up/down" button (Fig3 ⑥) to choose the parameters :H/S(The selected parameter will have a shading color block display),after choosing the parameters, move "up/down" button(Fig.3⑥)to set the parameters.

- 1) H adjusting range: 001°-360°, adjustment step size: 1°;
- 2) S adjusting range:0-100, adjustment step size: 1.

● Scene mode Adjustment

In scene mode, move "up/down" button(Fig.3⑥) to choose below scene:



Police



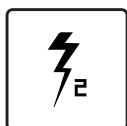
Ambulance



Fire truck



Lighting 1



Lighting 2



HSI demo (slow)



HSI demo (fast)



Screen



Candle



Paparazzi



Strobe



High and low beam bulb



Double flash



Red flash



Green flash



Blue flash



PARTY1



PARTY 2



Breathing white



RGB Strobe

Packing list

No.	Details	Quantity
1	S-2712 light	x 1
2	Storage bag	x 1
3	Bracket	x 1
4	Cold-shoe	x 1
5	USB charging cable	x 1
6	Sticker	x 1
7	User manual	x 1
8	Warranty card	x 1
9	Diffuser	x 1
10	Honeycomb	x 1